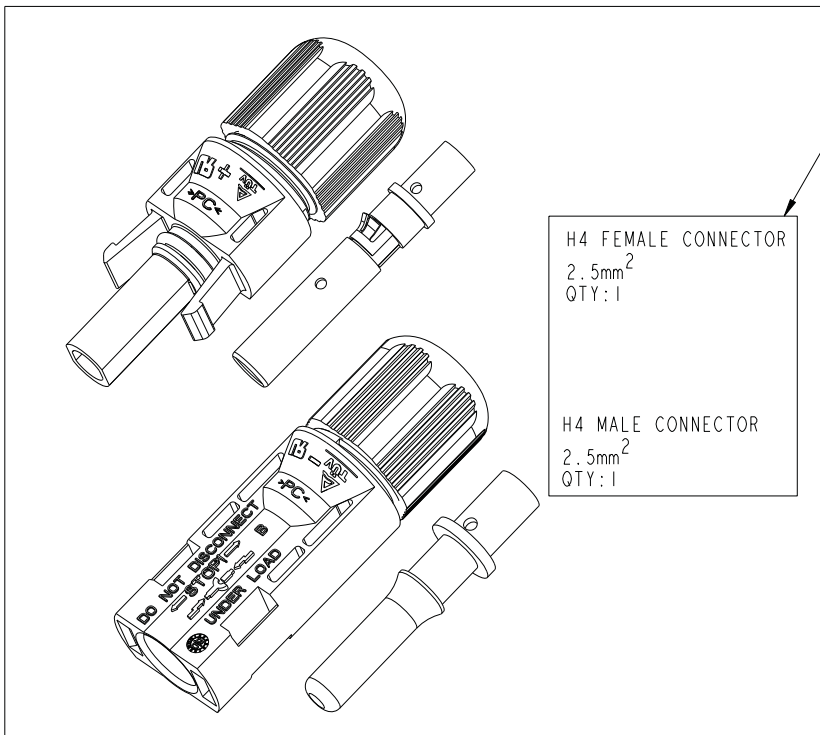


REV. A		SHEET 1 OF 2	PV-200001/108
REVISIONS			
LTR	DESCRIPTION	DATE	
A	INITIAL RELEASE	2010-06-22	

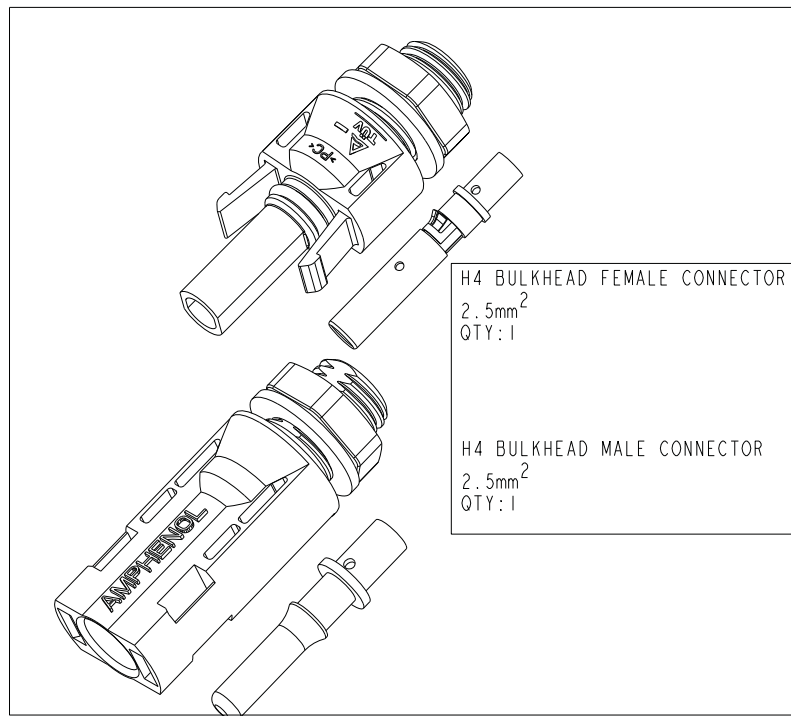
EXAMPLE:
MANUFACTURE P/N:PV-200075-1
CODE NUMBER:H4CPC2D-1

EXAMPLE:
MANUFACTURE P/N:PV-200082-1
CODE NUMBER:H4CPM2T-1



H4 FEMALE CONNECTOR
2.5mm²
QTY: 1

H4 MALE CONNECTOR
2.5mm²
QTY: 1



H4 BULKHEAD FEMALE CONNECTOR
2.5mm²
QTY: 1

H4 BULKHEAD MALE CONNECTOR
2.5mm²
QTY: 1

TABLE 1

1	2	3	4	5	6	7	8
H	4	C	F	C	2	D	I
PRODUCT LINE	PRODUCT TYPE	PRODUCT	GENDER	CABLE ENTRY	CABLE SIZE	APPROVAL	PACKAGE
HELIOS SOLAR LINE	H4 SOLAR CONNECTOR	C CONNECTOR	F FEMALE	C CABLE GLAND	2 2.5mm ² /AWG14	T TUV APPROVED	I SINGLE
		P PROTECTIVE CAP	M MALE	M BULKHEAD M12	4 4.0mm ² /AWG12	U UL APPROVED	C BULKPACK, 100PCS.
		Y BRANCH CONNECTOR	P MATED PAIR	N BULKHEAD M14	6 6.0mm ² /AWG10	D DUAL APPROVAL	D BULKPACK, 500PCS. (DEFAULT PACKAGE)
				O OVER-MOLD			M BULKPACK, 1000PCS.
							N BULKPACK, 2000PCS.

CUSTOMER DRAWING

NOTES:

THE USE OF THIS DOCUMENT IS UNLIMITED.
HOWEVER, DOCUMENTS REFERENCED HEREON
MAY CONTAIN LIMITED RIGHTS DATA.

N/A	PRO/ENGINEER INFORMATION
N/A	Pro/e Model Used: CPV-090508-M-ASSEM
	Drawing Name: PV-200078-2
	NEXT ASSEMBLY

UNLESS OTHERWISE SPECIFIED	SPECIFICATIONS	POS	QTY	PART NUMBER	DESCRIPTION	NOTE								
	MATERIAL SPEC.	APPROVALS		DATE	PARTS LIST									
	N/A	PREPARED BY	ALEX LI	27-Nov-08	AMPHENOL CORPORATION 4040 DELAWARE AVENUE SENY, NY, 13698									
		ENGINEER IN CHARGE	DANIEL LENEEL		HELIOS CONNECTOR ASSEMBLY									
	PROCESS SPEC.	DESIGN MANAGER	DANIEL LENEEL											
	N/A	DESIGN ACTIVITY GROUP	C&I											
		THIRD ANGLE PROJECTION	<table border="1"> <tr> <td>SIZE</td> <td>CAGE CODE</td> <td>DOCUMENT NO.</td> <td>REV.</td> </tr> <tr> <td>C</td> <td>77820</td> <td>PV-200001/108</td> <td>A</td> </tr> </table>				SIZE	CAGE CODE	DOCUMENT NO.	REV.	C	77820	PV-200001/108	A
SIZE	CAGE CODE	DOCUMENT NO.	REV.											
C	77820	PV-200001/108	A											
				SCALE: 1.0 REF:		SHEET 1 OF 2								

PV-200001/108

SHEET 1 OF 2

REV. A

C

B

A

FORMAT: C-UL-Rev. B

DOCUMENT NO. PV-200001/108

SHEET 1 OF 2

PV-200001/108

A

PV-20001/108

SHEET 2 OF 2

REV. A

C

B

A

Manufacture part number	code number	Made from
PV-200001(-)	H4FC2T(-)	PV-090507-F
PV-200002(-)	H4FC2U(-)	TBD
PV-200003(-)	H4FC2D(-)	PV-100507-F
PV-200004(-)	H4FC4T(-)	PV-090508-F
PV-200005(-)	H4FC4U(-)	TBD
PV-200006(-)	H4FC4D(-)	PV-100508-F
PV-200007(-)	H4FC6T(-)	PV-090506-F
PV-200008(-)	H4FC6U(-)	TBD
PV-200009(-)	H4FC6D(-)	PV-100506-F
PV-200010(-)	H4CFM2T(-)	PV-130511-F
PV-200011(-)	H4CFM2U(-)	TBD
PV-200012(-)	H4CFM2D(-)	TBD
PV-200013(-)	H4CFM4T(-)	PV-130509-F
PV-200014(-)	H4CFM4U(-)	TBD
PV-200015(-)	H4CFM4D(-)	TBD
PV-200016(-)	H4CFM6T(-)	PV-130510-F
PV-200017(-)	H4CFM6U(-)	TBD
PV-200018(-)	H4CFM6D(-)	TBD
PV-200019(-)	H4CFN2T(-)	PV-150511-F
PV-200020(-)	H4CFN2U(-)	TBD
PV-200021(-)	H4CFN2D(-)	TBD
PV-200022(-)	H4CFN4T(-)	PV-150509-F
PV-200023(-)	H4CFN4U(-)	TBD
PV-200024(-)	H4CFN4D(-)	TBD
PV-200025(-)	H4CFN6T(-)	PV-150510-F
PV-200026(-)	H4CFN6U(-)	TBD
PV-200027(-)	H4CFN6D(-)	TBD
PV-200028(-)	H4CFO2T(-)	TBD
PV-200029(-)	H4CFO2U(-)	TBD
PV-200030(-)	H4CFO2D(-)	TBD
PV-200031(-)	H4CFO4T(-)	TBD
PV-200032(-)	H4CFO4U(-)	TBD
PV-200033(-)	H4CFO4D(-)	TBD
PV-200034(-)	H4CFO6T(-)	TBD
PV-200035(-)	H4CFO6U(-)	TBD
PV-200036(-)	H4CFO6D(-)	TBD

Table 1

Code	Description
I	Single
C	Bulk pack, 100 pcs
D	Bulk pack, 500 pcs.
M	Bulk pack, 1000 pcs.
N	Bulk pack, 2000 pcs.

Table 2

Manufacture part number	code number	Made from
PV-200037(-)	H4CMC2T(-)	PV-090507-M
PV-200038(-)	H4CMC2U(-)	TBD
PV-200039(-)	H4CMC2D(-)	PV-100507-M
PV-200040(-)	H4CMC4T(-)	PV-090508-M
PV-200041(-)	H4CMC4U(-)	TBD
PV-200042(-)	H4CMC4D(-)	PV-100508-M
PV-200043(-)	H4CMC6T(-)	PV-090506-M
PV-200044(-)	H4CMC6U(-)	TBD
PV-200045(-)	H4CMC6D(-)	PV-100506-M
PV-200046(-)	H4CMM2T(-)	PV-130511-M
PV-200047(-)	H4CMM2U(-)	TBD
PV-200048(-)	H4CMM2D(-)	TBD
PV-200049(-)	H4CMM4T(-)	PV-130509-M
PV-200050(-)	H4CMM4U(-)	TBD
PV-200051(-)	H4CMM4D(-)	TBD
PV-200052(-)	H4CMM6T(-)	PV-130510-M
PV-200053(-)	H4CMM6U(-)	TBD
PV-200054(-)	H4CMM6D(-)	TBD
PV-200055(-)	H4CMN2T(-)	PV-150511-M
PV-200056(-)	H4CMN2U(-)	TBD
PV-200057(-)	H4CMN2D(-)	TBD
PV-200058(-)	H4CMN4T(-)	PV-150509-M
PV-200059(-)	H4CMN4U(-)	TBD
PV-200060(-)	H4CMN4D(-)	TBD
PV-200061(-)	H4CMN6T(-)	PV-150510-M
PV-200062(-)	H4CMN6U(-)	TBD
PV-200063(-)	H4CMN6D(-)	TBD
PV-200064(-)	H4CMO2T(-)	TBD
PV-200065(-)	H4CMO2U(-)	TBD
PV-200066(-)	H4CMO2D(-)	TBD
PV-200067(-)	H4CMO4T(-)	TBD
PV-200068(-)	H4CMO4U(-)	TBD
PV-200069(-)	H4CMO4D(-)	TBD
PV-200070(-)	H4CMO6T(-)	TBD
PV-200071(-)	H4CMO6U(-)	TBD
PV-200072(-)	H4CMO6D(-)	TBD

Table 1 CONTINUE

Notes: 1."()" see Table 2.
2."TBD":to be developed.

Manufacture part number	code number	Made from
PV-200073(-)	H4CPC2T(-)	PV-090507-000
PV-200074(-)	H4CPC2U(-)	TBD
PV-200075(-)	H4CPC2D(-)	PV-100507-000
PV-200076(-)	H4CPC4T(-)	PV-090508-000
PV-200077(-)	H4CPC4U(-)	TBD
PV-200078(-)	H4CPC4D(-)	PV-100508-000
PV-200079(-)	H4CPC6T(-)	PV-090506-000
PV-200080(-)	H4CPC6U(-)	TBD
PV-200081(-)	H4CPC6D(-)	PV-100506-000
PV-200082(-)	H4CPM2T(-)	PV-130511-000
PV-200083(-)	H4CPM2U(-)	TBD
PV-200084(-)	H4CPM2D(-)	TBD
PV-200085(-)	H4CPM4T(-)	PV-130509-000
PV-200086(-)	H4CPM4U(-)	TBD
PV-200087(-)	H4CPM4D(-)	TBD
PV-200088(-)	H4CPM6T(-)	PV-130510-000
PV-200089(-)	H4CPM6U(-)	TBD
PV-200090(-)	H4CPM6D(-)	TBD
PV-200091(-)	H4CPN2T(-)	PV-150511-000
PV-200092(-)	H4CPN2U(-)	TBD
PV-200093(-)	H4CPN2D(-)	TBD
PV-200094(-)	H4CPN4T(-)	PV-150509-000
PV-200095(-)	H4CPN4U(-)	TBD
PV-200096(-)	H4CPN4D(-)	TBD
PV-200097(-)	H4CPN6T(-)	PV-150510-000
PV-200098(-)	H4CPN6U(-)	TBD
PV-200099(-)	H4CPN6D(-)	TBD
PV-200100(-)	H4CPO2T(-)	TBD
PV-200101(-)	H4CPO2U(-)	TBD
PV-200102(-)	H4CPO2D(-)	TBD
PV-200103(-)	H4CPO4T(-)	TBD
PV-200104(-)	H4CPO4U(-)	TBD
PV-200105(-)	H4CPO4D(-)	TBD
PV-200106(-)	H4CPO6T(-)	TBD
PV-200107(-)	H4CPO6U(-)	TBD
PV-200108(-)	H4CPO6D(-)	TBD

Table 1 CONTINUE

THE USE OF THIS DOCUMENT IS UNLIMITED. HOWEVER, DOCUMENTS REFERENCED HEREON MAY CONTAIN LIMITED RIGHTS DATA.

SIZE C	CAGE CODE 77820	DOCUMENT NO. PV-20001/108	REV. A
SCALE: 1:0		REF:	SHEET 2 OF 2

SHEET 2 OF 2

PV-20001/108

A